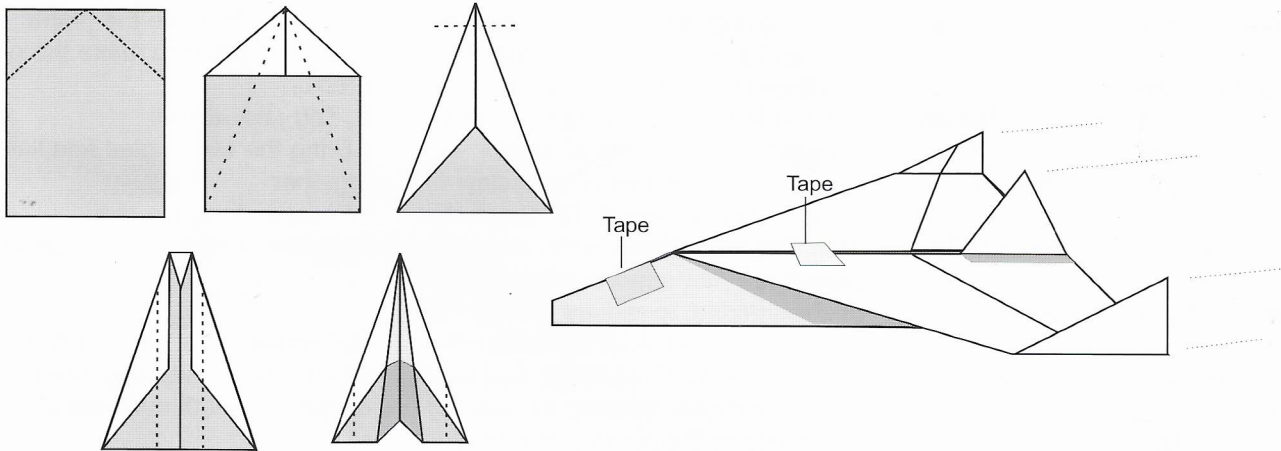
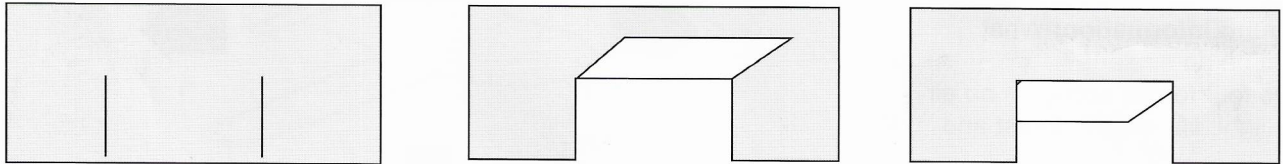


Instructions



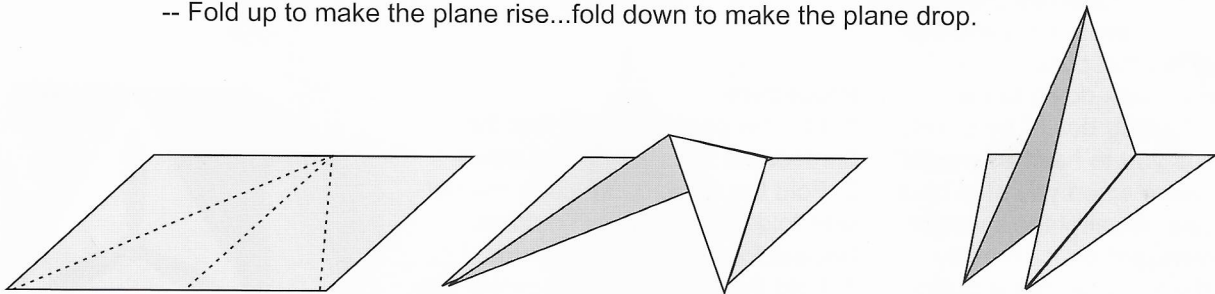
THE PLANE

- Flip the paper over so that the printed fold lines are facing down.
- Fold the corners up along the outside fold lines and crease down. Repeat for the next set of folds.
- Fold the nose back, as shown.
- Fold up along the center line so the lines and graphics are on the outside.
- Finally fold down each wing and fold up the corner flaps.
- Tape together nose, wing and aft fuselage for optimum performance.
- Throw briskly and slightly angled up.



THE ADJUSTABLE FLAPS

- Cut on sides.
- Fold up to make the plane rise...fold down to make the plane drop.



THE STICK-UP TAIL

- Bring the two angled fold lines together.
- Crease along the top.